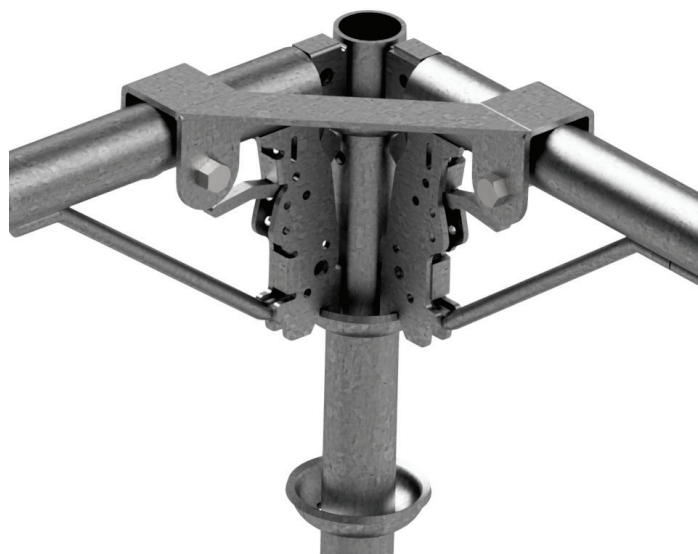
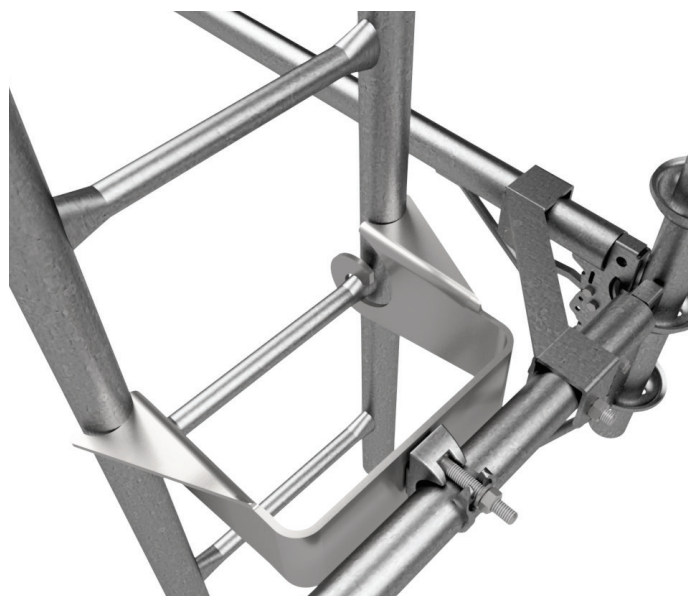
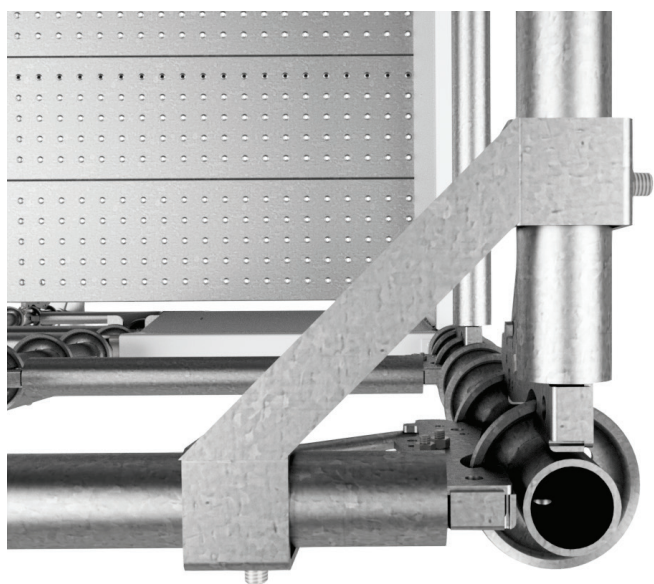


EXCEL MODULAR RIGHT-ANGLE BRACE

Part Number	Description	Weight (lbs.)
RAB	Right-Angle Brace	3.5



A right-angle brace is used to ensure the scaffold stays square or to provide additional corner support for the end connectors.

Right-angle braces can be used to support a stand-off (90 degree) ladder access.

Right-angle braces can be used for ladder additions or bracing on scaffolds with casters.

Right-angle braces can be used to replace tube and clamp when installed to prevent the end connector from rotating around the cup.

BUILD NOTE: Braces must have bolts.

**All material must be inspected prior to use!
See inspection guidelines on page 112.**