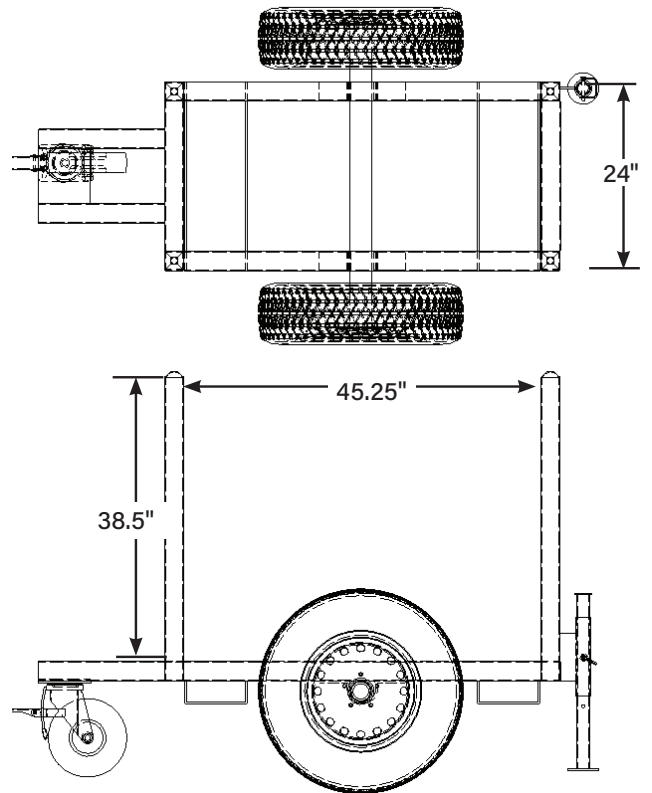


EXCEL MODULAR SCAFFOLD CART

Part Number	Description	Load Capacity (lbs.)	Weight (lbs.)
S-Cart	Scaffold Cart	3,340	300



BUILD NOTES:

1. Cart is only to be lifted by a forklift at pockets provided and all material strapped into place prior to lifting.
2. Cart is not meant to be towed by a motorized vehicle and is to be lifted by forklift or pushed by man power.
3. Cart wheels are to be locked while loading and unloading to prevent movement.
4. The stabilizer at the back of the cart is to be used whenever the cart is stationary.

**All material must be inspected prior to use!
See inspection guidelines on page 112.**