

EXCEL MODULAR VERTICAL POST

Part Number	Description	Effective Length (inches)	Overall Length (inches)	Tube Length (inches)	Weight Galvanized (lbs.)
LP1	Vertical Pin	11.5	—	—	1
VP2	2-Cup Vertical	11.5	16.75	11.5	3.3
VP4	4-Cup Vertical	23	26.25	23	8.6
VP6	6-Cup Vertical	34.5	37.5	34.5	11.9
VP8	8-Cup Vertical	46	49.25	46	15.3
VP10	10-Cup Vertical	57.5	60.75	57.5	18.6
VP12	12-Cup Vertical	69	72.25	69	21.8
VP14	14-Cup Vertical	80.5	83.75	80.5	25.3
VP16	16-Cup Vertical	92	95.25	92	28.4
VP20	20-Cup Vertical	115	118.25	115	35.3

Cup spacing is 5.75 inches.

MATERIAL SPECS:

1. Verticals are designed to be compatible with standard 1.90 OD tube and clamp material. When connecting verticals, a vertical pin with snap buttons must be used to align the verticals.
2. All tubing is 1.90 diameter, 11-gauge (0.120 wall), high-strength, minimum 65,000 yield, and 75,000 tensile.
3. Tube length is the length of tubing required to manufacture each vertical.

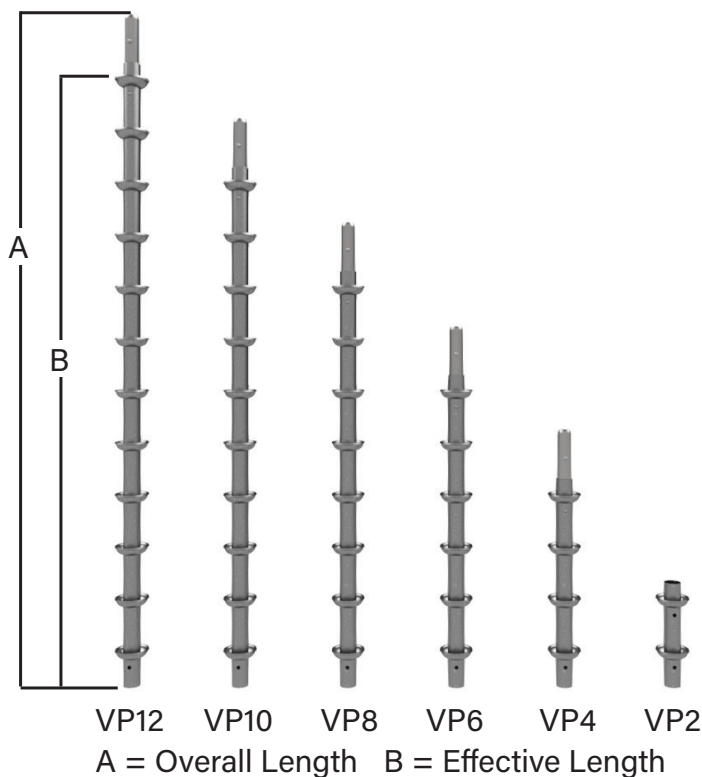


CAUTION: There is a pinch point located where two verticals are pinned together.

Use caution when passing verticals. Ensure the vertical pin is correctly fastened.



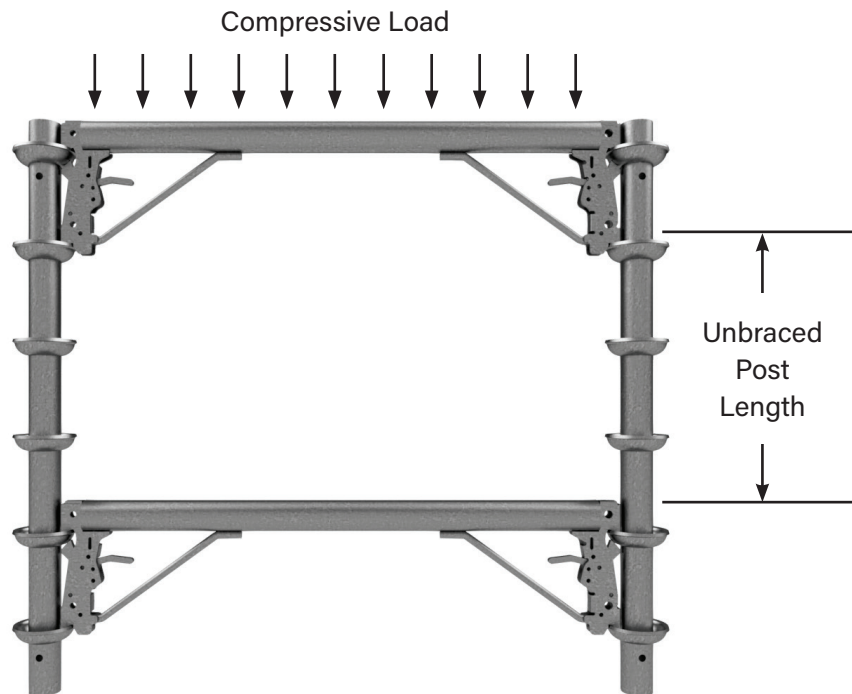
WARNING: Two-cup verticals should only be used as the top member of a vertical column. Two-cup verticals cannot have a vertical pin inserted in the top and bottom. The snap buttons will not lock on both pins and may create a drop hazard.



**All material must be inspected prior to use!
See inspection guidelines on page 112.**

EXCEL MODULAR VERTICAL POST

Unbraced Post Length (inches)	Maximum Allowable Compressive Load When Rated for Scaffold Use (lbs.)
80.5 (6.70 ft.)	4,500
69 (5.57 ft.)	6,986
57.5 (4.79 ft.)	7,670
46 (3.83 ft.)	8,230
33.75 (2.81 ft.)	8,690



Allowable loads include OSHA (4:1) safety factor.

When designing scaffolds with unique configurations or special loading conditions, consult with a qualified person or engineer (may require a PE stamp).

**All material must be inspected prior to use!
See inspection guidelines on page 112.**