

EXCEL MODULAR HORIZONTAL BAR

Part Number	Description	Vertical Post Spacing (inches)	Overall Width (inches)	Tube Length (inches)	Weight Galvanized (lbs.)
PB24	24" Bearer, 2-Plank Bearer	24	22	17.38	10
PB32	32" Bearer, 3-Plank Bearer	32	30	25.38	10.5
PB36	36" Bearer	36	34	29.38	11
PB42	42" Bearer, 4-Plank Bearer	42	40	35.38	12
PB48	48" Bearer, 5-Plank Bearer	48	46	41.38	12.5
PB60	60" Bearer, 6-Plank Bearer	60	58	53.38	15
PB72	6' Bearer	72	70	65.38	17.5
PB84	7' Bearer	84	82	77.38	19.5
	Horizontal Ledger				
HL96	8' Ledger	96	94	89.38	20.5
HL108	9' Ledger	108	106	101.38	21.5
HL120	10' Ledger	120	118	113.38	25

Excel's newest horizontal end connectors feature a safety latch which prevents the horizontal from being accidentally disconnected.

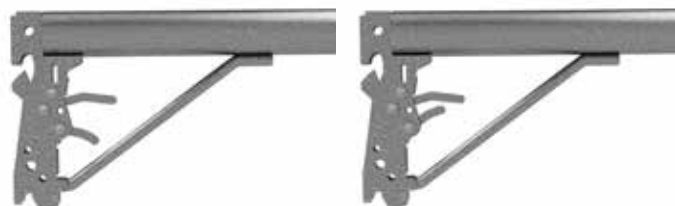
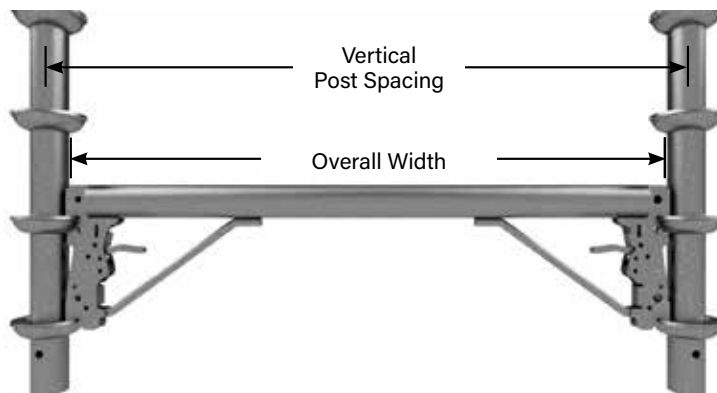
The new horizontals are capped on the top to prevent debris from entering into the trigger locking mechanism and allows metal scaffold boards to be placed the full length of the horizontal.

MATERIAL SPECS:

1. Tubing for the 7-foot bearer through the 10-foot ledger is 1.90 diameter, 11-gauge (0.120 wall), high-strength, minimum 65,000 yield, and 75,000 tensile.
2. All other tubing is 13-gauge (0.083 wall), high-strength, minimum 65,000 yield, and 75,000 tensile.
3. Tube length is the length of tubing required to manufacture each horizontal.



CAUTION: There is a pinch point when closing the trigger.

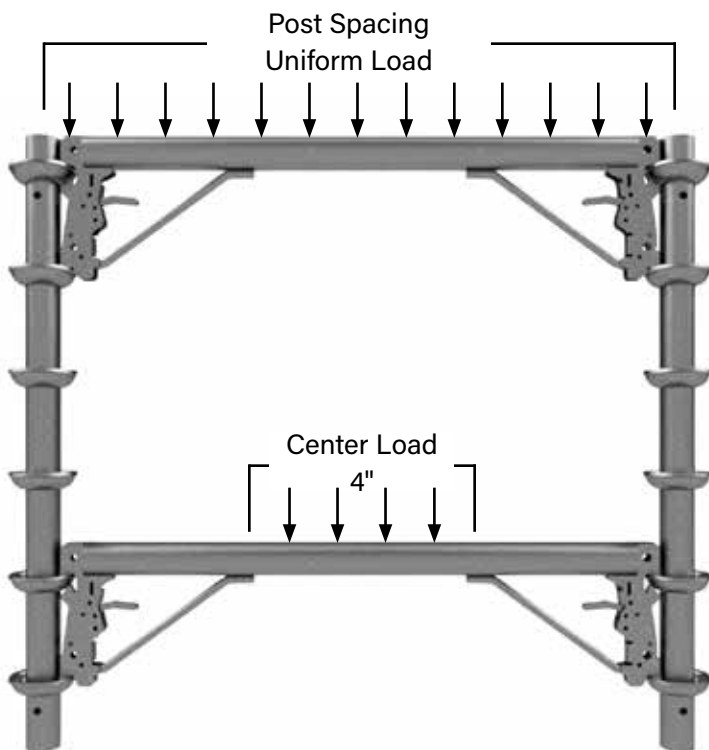


The horizontal is unlatched by raising the bottom trigger to free the latch and pressing down on both triggers to unhook from the cup.

**All material must be inspected prior to use!
See inspection guidelines on page 112.**

EXCEL MODULAR HORIZONTAL BAR

Part Number	Description	Vertical Post Spacing (inches)	Allowable Center Load (lbs.)	Allowable Uniform Load (lbs./ft.)
PB24	24" Bearer, 2-Plank Bearer	24	2,250	2,250
PB32	32" Bearer, 3-Plank Bearer	32	1,400	1,050
PB36	36" Bearer	36	1,100	733
PB42	42" Bearer, 4-Plank Bearer	42	1,000	571
PB48	48" Bearer, 5-Plank Bearer	48	900	450
PB60	60" Bearer, 6-Plank Bearer	60	625	250
PB72	6' Bearer	72	530	177
PB84	7' Bearer	84	410	117
	Horizontal Ledger			
HL96	8' Ledger	96	320	80
HL108	9' Ledger	108	275	61
HL120	10' Ledger	120	250	50



**All material must be inspected prior to use!
See inspection guidelines on page 112.**

- BUILD NOTES:**
1. Vertical leg may be the limiting load carrying member.
 2. Center load is applied to the center four (4) inches of the bearer or ledger.

EXCEL MODULAR HORIZONTAL BAR (CONT'D)

Bearer	Ledger Length											
		PB24	PB32	PB36	PB42	PB48	PB60	PB72	PB84	HL96	HL108	HL120
	Length (inches)	24	32	36	42	48	60	72	84	96	108	120
PB24	24	1125	844	750	643	563	450	375	321	281	250	225
PB32	32	574	431	383	328	287	230	191	164	144	128	115
PB36	36	340	255	227	194	170	136	113	97	85	76	68
PB42	42	286	214	190	163	143	114	95	82	71	63	57
PB48	48	225	169	150	129	113	90	75	64	56	50	45
PB60	60	125	94	83	71	63	50	42	36	31	28	25
PB72	72	88	66	59	50	44	35	29	25	22	20	18
PB84	84	59	44	39	33	29	23	20	17	15	13	12
HL96	96	40	30	27	23	20	16	13	11	10	9	8
HL108	108	31	23	20	17	15	12	10	9	8	7	6
HL120	120	25	19	17	14	13	10	8	7	6	6	5

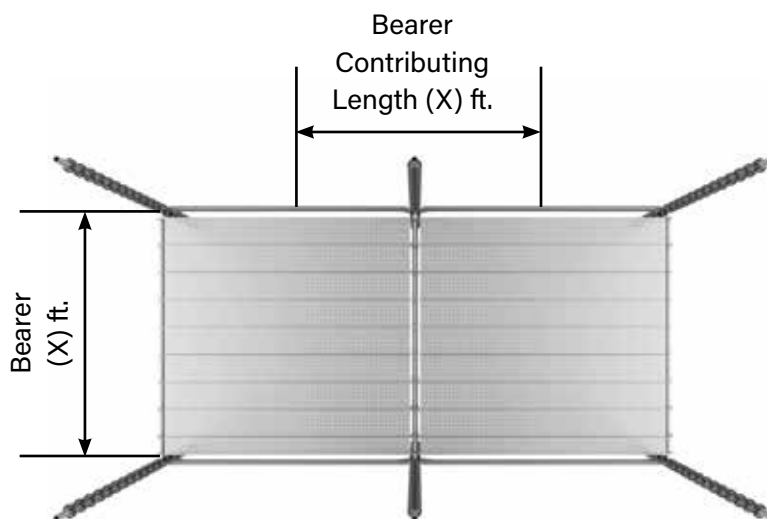
Chart shows the total allowable load per square foot (live load + dead load).

All areas below 25 lbs./sq. ft. (in yellow) do not meet OSHA requirements for a light-duty scaffold. OSHA 1926.451 (a) 6 in conjunction with non-mandatory Appendix A, define uniform loads for scaffold types.

BUILD NOTE: Deck planking or vertical members may be the limiting load carrying member.



WARNING: Additional bracing is required for areas in yellow. Please consult with your qualified person and/or engineer.



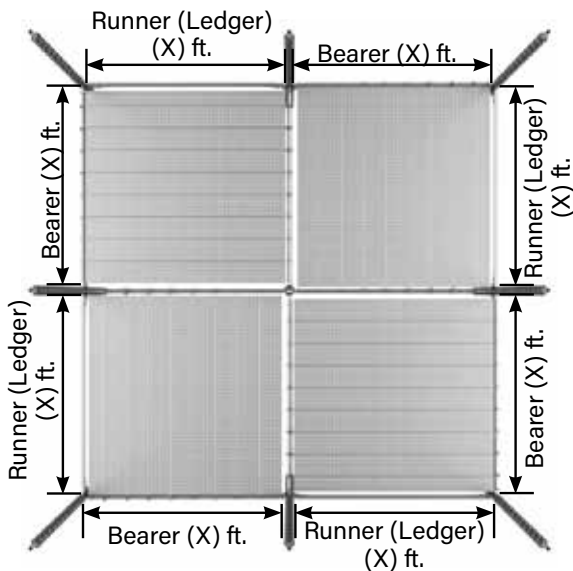
Continuous-Run Scaffold

**All material must be inspected prior to use!
See inspection guidelines on page 112.**

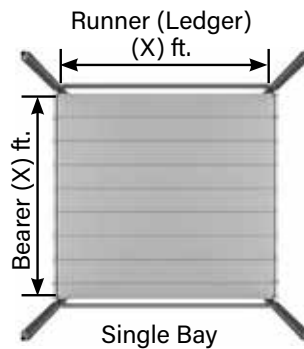
EXCEL MODULAR HORIZONTAL BAR (CONT'D)

Bearer	Ledger Length											
	Length (inches)	PB24	PB32	PB36	PB42	PB48	PB60	PB72	PB84	HL96	HL108	HL120
PB24	24	1125	844	750	643	563	450	375	321	281	250	225
PB32	32	574	431	383	328	287	230	191	164	144	128	115
PB36	36	340	255	227	194	170	136	113	97	85	76	68
PB42	42	286	214	190	163	143	114	95	82	71	63	57
PB48	48	225	169	150	129	113	90	75	64	56	50	45
PB60	60	125	94	83	71	63	50	42	36	31	28	25
PB72	72	88	66	59	50	44	35	29	25	22	20	18
PB84	84	59	44	39	33	29	23	20	17	15	13	12
HL96	96	40	30	27	23	20	16	13	11	10	9	8
HL108	108	31	23	20	17	15	12	10	9	8	7	6
HL120	120	25	19	17	14	13	10	8	7	6	6	5

Chart shows the total allowable load per square foot (live load + dead load).



Alternating Bays



Single Bay

All areas below 25 lbs./sq. ft. (in yellow) do not meet OSHA requirements for a light-duty scaffold. OSHA 1926.451 (a) 6 in conjunction with non-mandatory Appendix A, define uniform loads for scaffold types.

BUILD NOTES:

1. Bearer supports the boards.
2. Deck planking or vertical members may be the limiting load carrying member.



WARNING: Additional bracing is required for areas in yellow. Please consult with your qualified person and/or engineer.

**All material must be inspected prior to use!
See inspection guidelines on page 112.**

BRACING EXCEL HORIZONTAL BARS

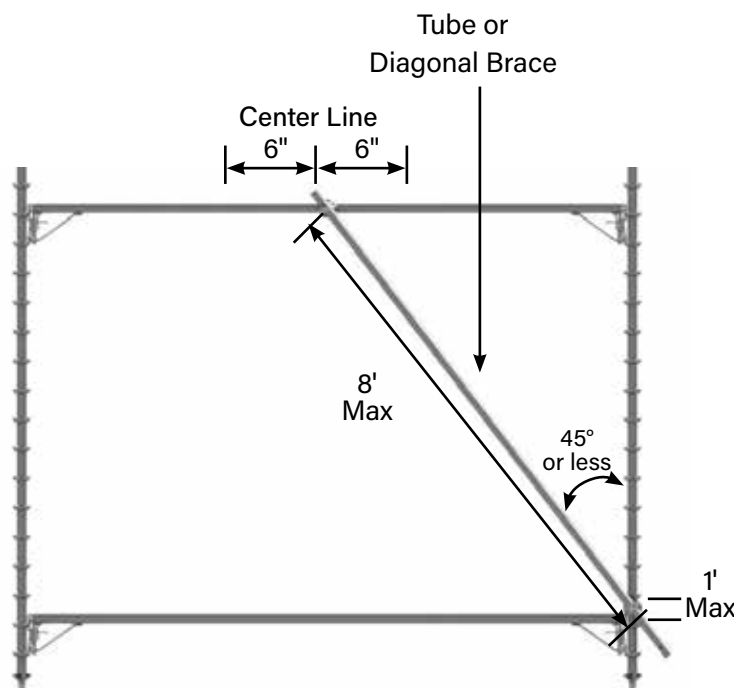
Part Number	Description	Vertical Post Spacing (inches)	Allowable Center Load	Allowable Uniform Load	
			lbs.	lbs.	lbs./ft.
PB60	60" Bearer, 6-Plank Bearer	60	1,200	2,400	480
PB72	6' Bearer	72	975	1,950	325
PB84	7' Bearer	84	875	1,750	250
	Horizontal Ledger				
HL96	8' Ledger	96	750	1,500	188
HL108	9' Ledger	108	675	1,350	150
HL120	10' Ledger	120	625	1,250	125

Diagonal bracing can be added to Excel horizontal bars when greater strength is required. Diagonal swivel braces, diagonal pin braces, short diagonal braces, or tube and clamp may be used to provide additional strength to the Excel horizontal bar.

Horizontal bracing adds additional torque to the verticals, which must be considered when building heavy-duty or tall scaffolds.

BUILD NOTES:

1. The angle of the bottom connection of the brace to the vertical post must be 45 degrees or less.
2. **Vertical leg may be the limiting load carrying member.**
3. Center load is applied to the center four (4) inches of the bearer or ledger.
4. Clamp is located +/- six (6) inches from center of bearer.
5. Maximum tube/brace length is eight (8) feet between leg clamp and bearer clamp.
6. Tube/brace is attached to leg within one (1) foot of horizontal on same plane.



(Stabilizing diagonal braces not shown in image for clarity.)

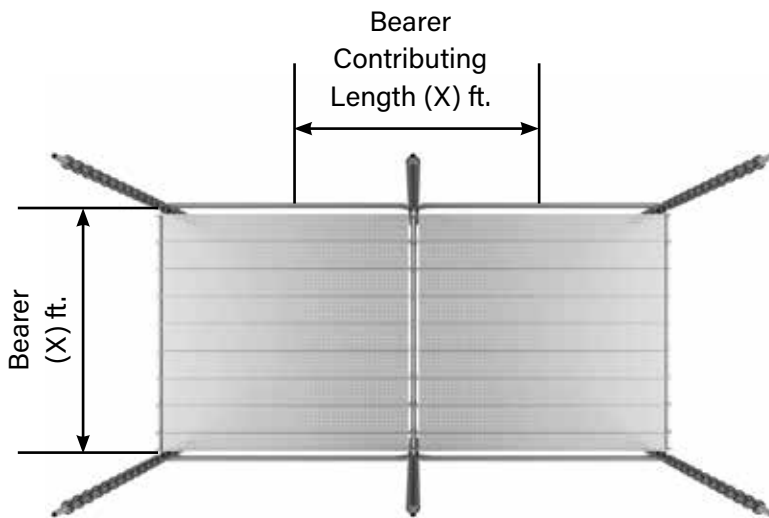
**All material must be inspected prior to use!
See inspection guidelines on page 112.**

EXCEL MODULAR HORIZONTAL BAR

WITH ONE (1) BRACE

Bearer	Ledger Length											
	Length (inches)	PB24	PB32	PB36	PB42	PB48	PB60	PB72	PB84	HL96	HL108	HL120
PB24	24	1125	844	750	643	563	450	375	321	281	250	225
PB32	32	574	431	383	328	287	230	191	164	144	128	115
PB36	36	340	255	227	194	170	136	113	97	85	76	68
PB42	42	286	214	190	163	143	114	95	82	71	63	57
PB48	48	225	169	150	129	113	90	75	64	56	50	45
PB60	60	125	94	83	71	63	50	42	36	31	28	25
PB72	72	88	66	59	50	44	35	29	25	22	20	18
PB84	84	59	44	39	33	29	23	20	17	15	13	12
HL96	96	40	30	27	23	20	16	13	11	10	9	8
HL108	108	31	23	20	17	15	12	10	9	8	7	6
HL120	120	25	19	17	14	13	10	8	7	6	6	5

Chart shows the allowable load per square foot when horizontal is braced as defined on page 11—Bracing Excel Horizontal Bars. Chart shows the total allowable load per square foot (live load + dead load).



Continuous-Run Scaffold

All areas below 25 lbs./sq. ft. (in yellow) do not meet OSHA requirements for a light-duty scaffold. OSHA 1926.451 (a) 6 in conjunction with non-mandatory Appendix A, define uniform loads for scaffold types.

BUILD NOTES:

1. Bearer supports the boards and has one (1) diagonal brace.
2. Deck planking or vertical members may be the limiting load carrying member.



WARNING: Additional bracing is required for areas in yellow. Please consult with your qualified person and/or engineer.

**All material must be inspected prior to use!
See inspection guidelines on page 112.**

EXCEL MODULAR HORIZONTAL BAR

WITH ONE (1) BRACE (CONT'D)

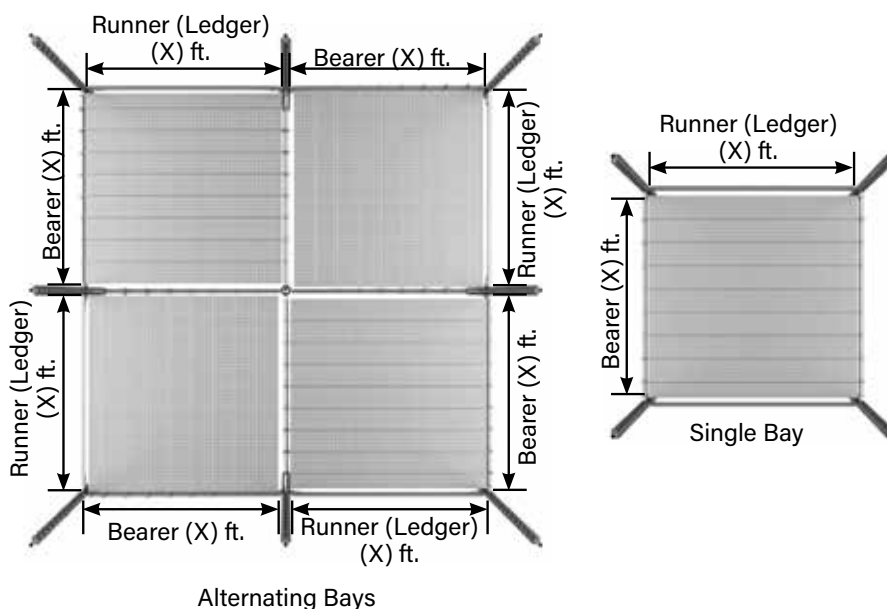
Bearer	Ledger Length											
	Length (inches)	PB24	PB32	PB36	PB42	PB48	PB60	PB72	PB84	HL96	HL108	HL120
PB24	24	1125	844	750	643	563	450	375	321	281	250	225
PB32	32	574	431	383	328	287	230	191	164	144	128	115
PB36	36	340	255	227	194	170	136	113	97	85	76	68
PB42	42	286	214	190	163	143	114	95	82	71	63	57
PB48	48	225	169	150	129	113	90	75	64	56	50	45
PB60	60	125	94	83	71	63	50	42	36	31	28	25
PB72	72	88	66	59	50	44	35	29	25	22	20	18
PB84	84	59	44	39	33	29	23	20	17	15	13	12
HL96	96	40	30	27	23	20	16	13	11	10	9	8
HL108	108	31	23	20	17	15	12	10	9	8	7	6
HL120	120	25	19	17	14	13	10	8	7	6	6	5

Chart shows the allowable load per square foot when horizontal is braced as defined on page 15—
Bracing Excel Horizontal Bars. Chart shows the total allowable load per square foot (live load + dead load).

All areas below 25 lbs./sq. ft. do not meet OSHA requirements for a light-duty scaffold. OSHA 1926.451 (a) 6 in conjunction with non-mandatory Appendix A, define uniform loads for scaffold types.

BUILD NOTES:

1. Bearer supports the boards and has one (1) diagonal brace.
2. Deck planking or vertical members may be the limiting load carrying member.



**All material must be inspected prior to use!
See inspection guidelines on page 112.**