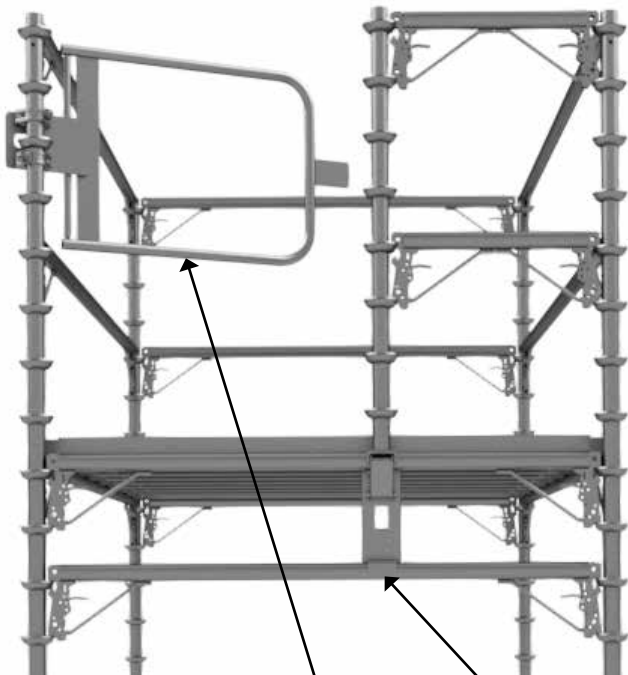


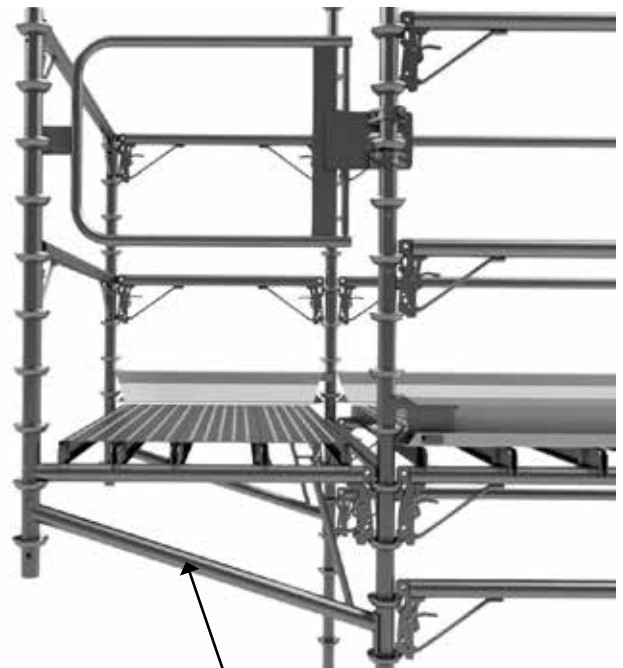
EXCEL MODULAR SAFETY GATE

Part Number	Description	Opening (inches)	Weight (lbs.)
SG2	Safety Gate Fixed	36	21



Safety Gate

Locking Intermediate Horizontal Adapter or Heavy-Duty Intermediate Horizontal Adapter (pg. 51)



Side Bracket of Cantilevered Deck (pg. 40)

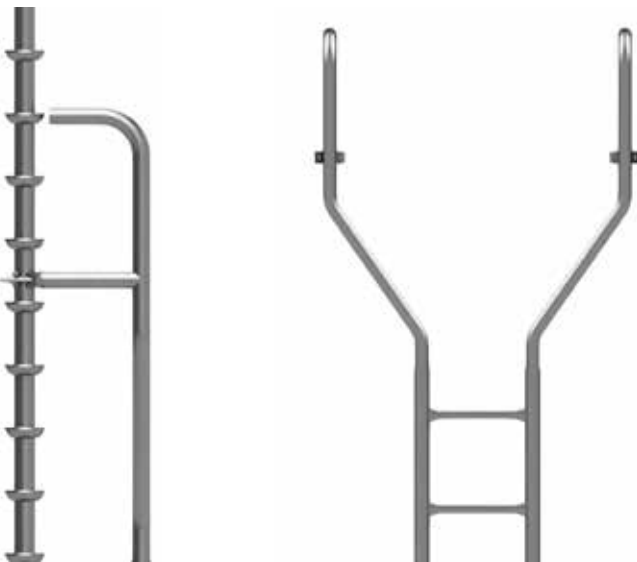
*Ladder not shown for clarity.

BUILD NOTE: Safety gates shall not be attached to a vertical attached to a locking intermediate horizontal adapter, heavy-duty intermediate horizontal adapter or a vertical on a non-continuous leg of a cantilevered deck.

**All material must be inspected prior to use!
See inspection guidelines on page 112.**

EXCEL MODULAR SAFETY GATE HANDRAIL

Part Number	Description	Weight (lbs.)
SGHR-L	Safety Gate Handrail with Clamps (Left)	14
SGHR-R	Safety Gate Handrail with Clamps (Right)	14



Safety gate handrails are designed to provide the safest possible entry and exit from a scaffold platform. When used in combination with the Excel safety gate, they eliminate the need for workers to climb over or through the handrails to access the work platform.

Safety gate handrails are placed on top of the ladder. They lock over the top of the ladder providing safe handrail support all the way onto the scaffold platform.

Safety gate handrails can be installed on any 36-inch scaffold opening.

BUILD NOTE: Never attach a gate to the handrail.



CAUTION: The top of the ladder rail must stop at the same level as the board deck to prevent trip hazards.



Clamp bolts should have between 40 and 65 lbs. tension. Overtightening could damage the threads, bolt or item the clamp is attached to.

**All material must be inspected prior to use!
See inspection guidelines on page 112.**